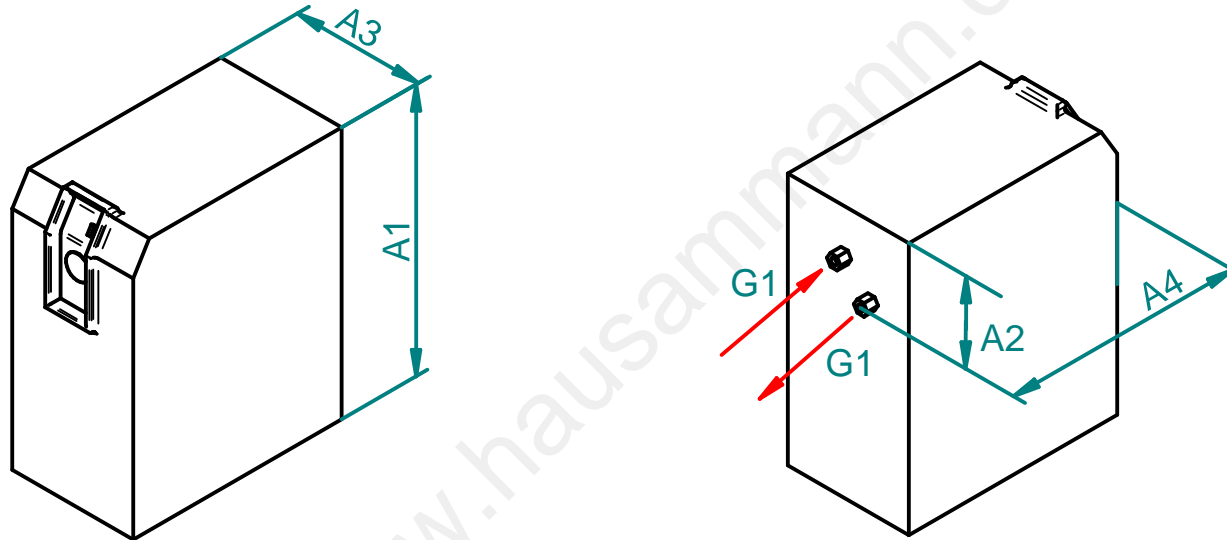


General tolerances ISO 2768-m						Index	Date	Visum	Modification	Index	Date	Visum	Modification
Basic-size	...6	> 6 ...30	> 30 ...120	> 120 ...400	> 400 ...1000								
medium	±0.1	±0.2	±0.3	±0.5	±0.8								



www.hausammann.com

Specifications points D,K,H	
D= doc.points	
K= critical	
H= main	

Accord-draw.no.: Origin-draw.no.: Replacement for:	Material:				
	HAUSAMMANN KOMponenten PRODUKTION SYSTEME	Scale:			
			Date	Visum	Phone
			plotted 30.05.12	E.Z	
	checked				
X00084926		Solid Edge	Format A4	Index 00	
© 2012, Fuer dieses Dokument behalten wir uns alle Rechte vor.		© 2012, Nous nous reservons tous les droits sur ce document		© 2012, We reserve all rights in connection with this document	